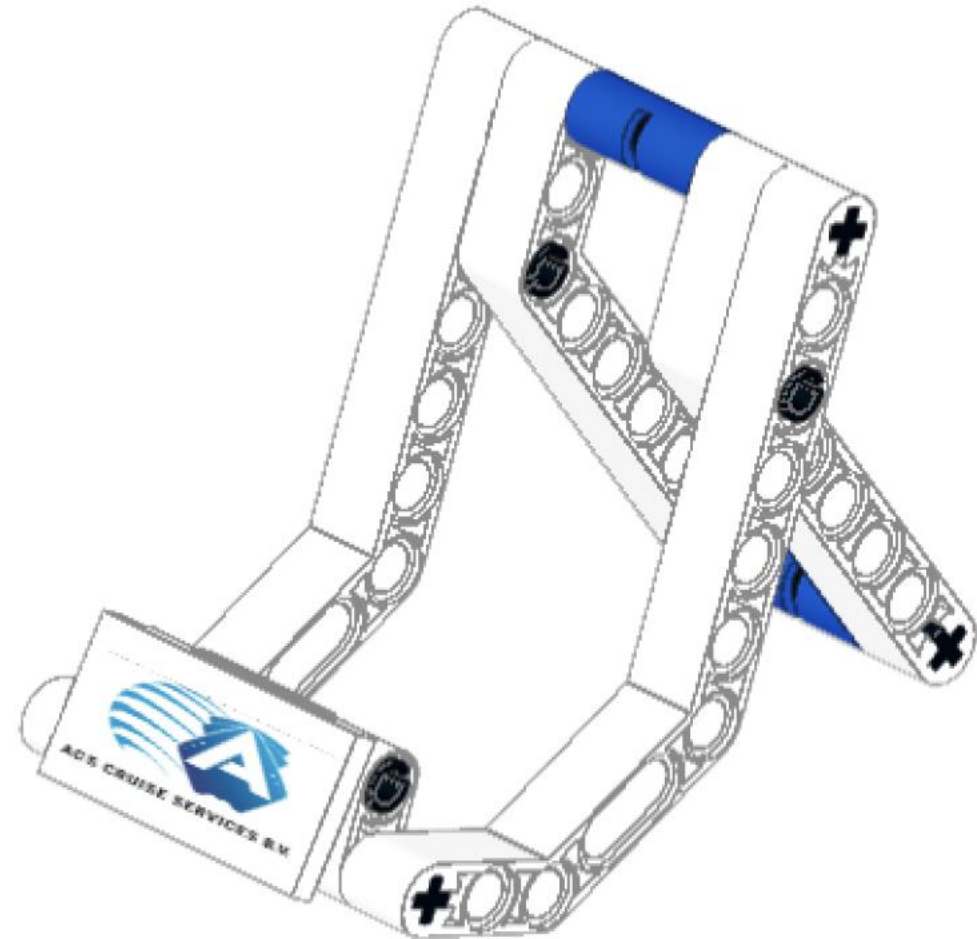


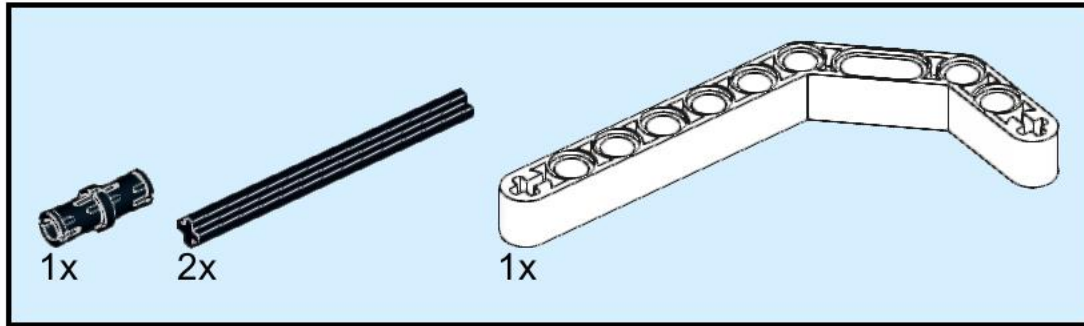


# TELEFOONHOUDER

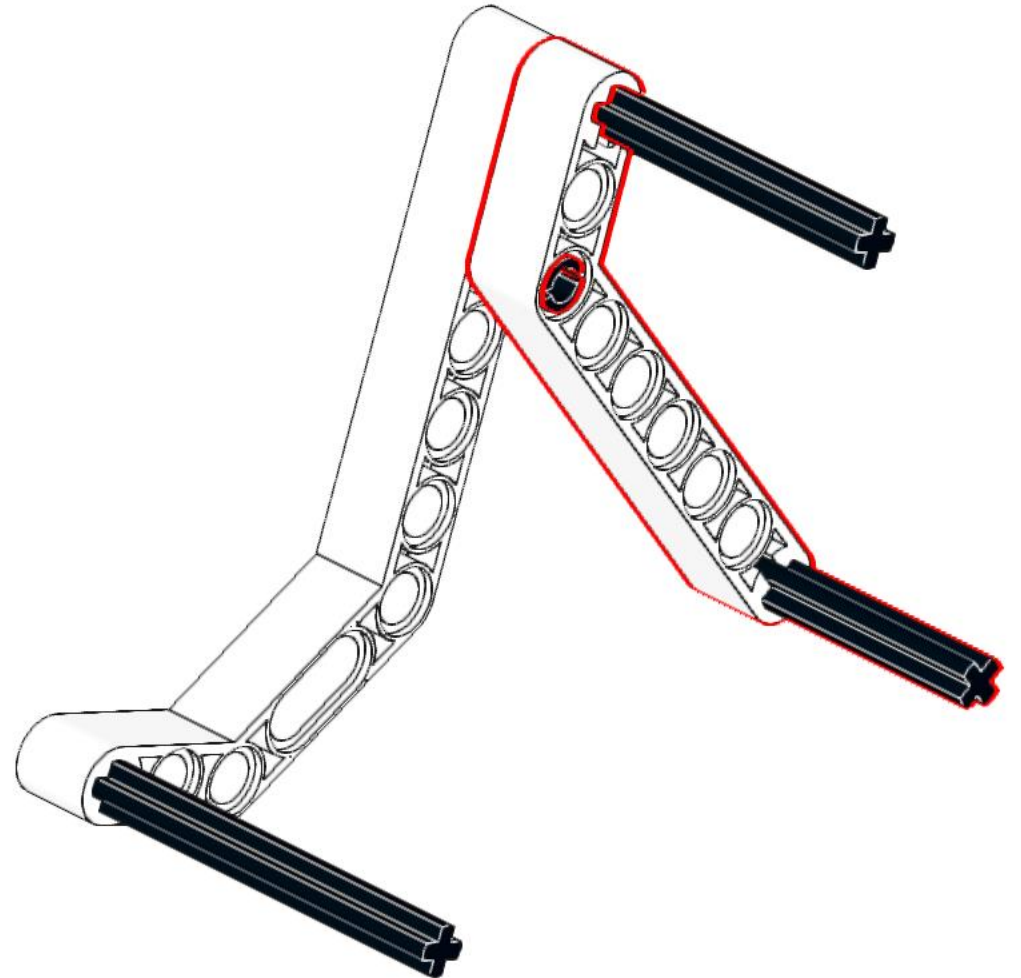
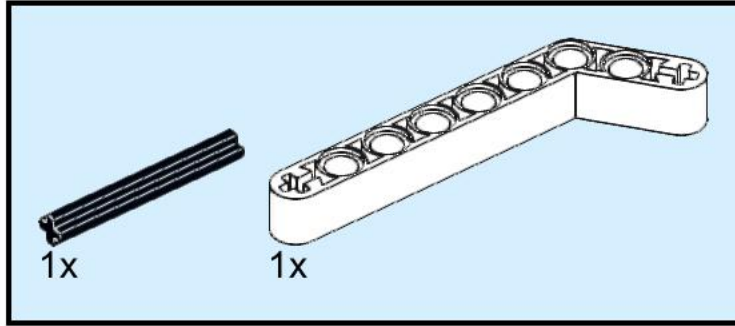
00001



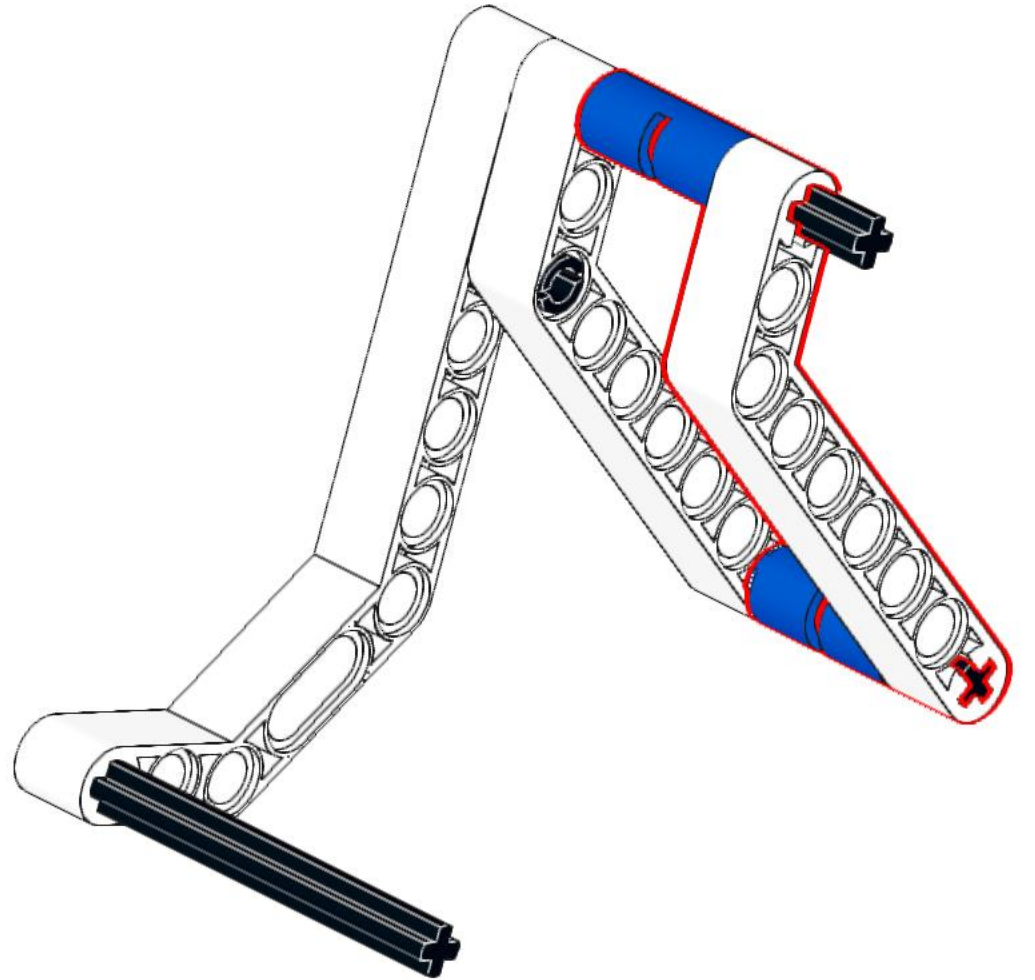
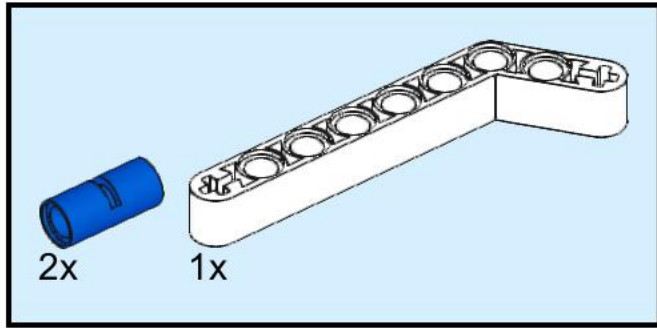
1



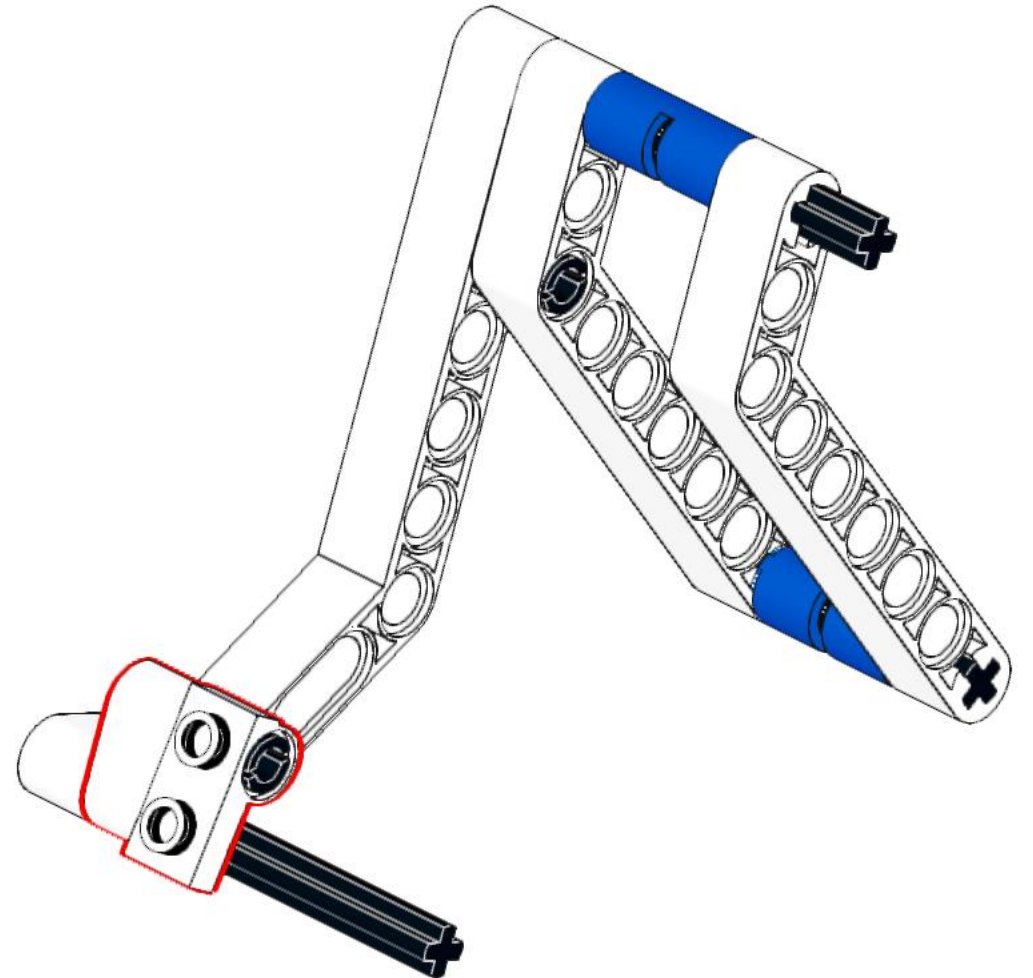
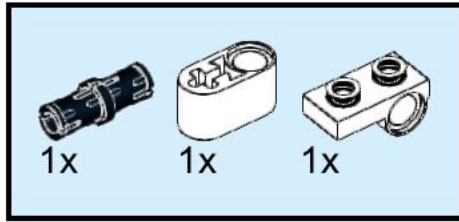
2



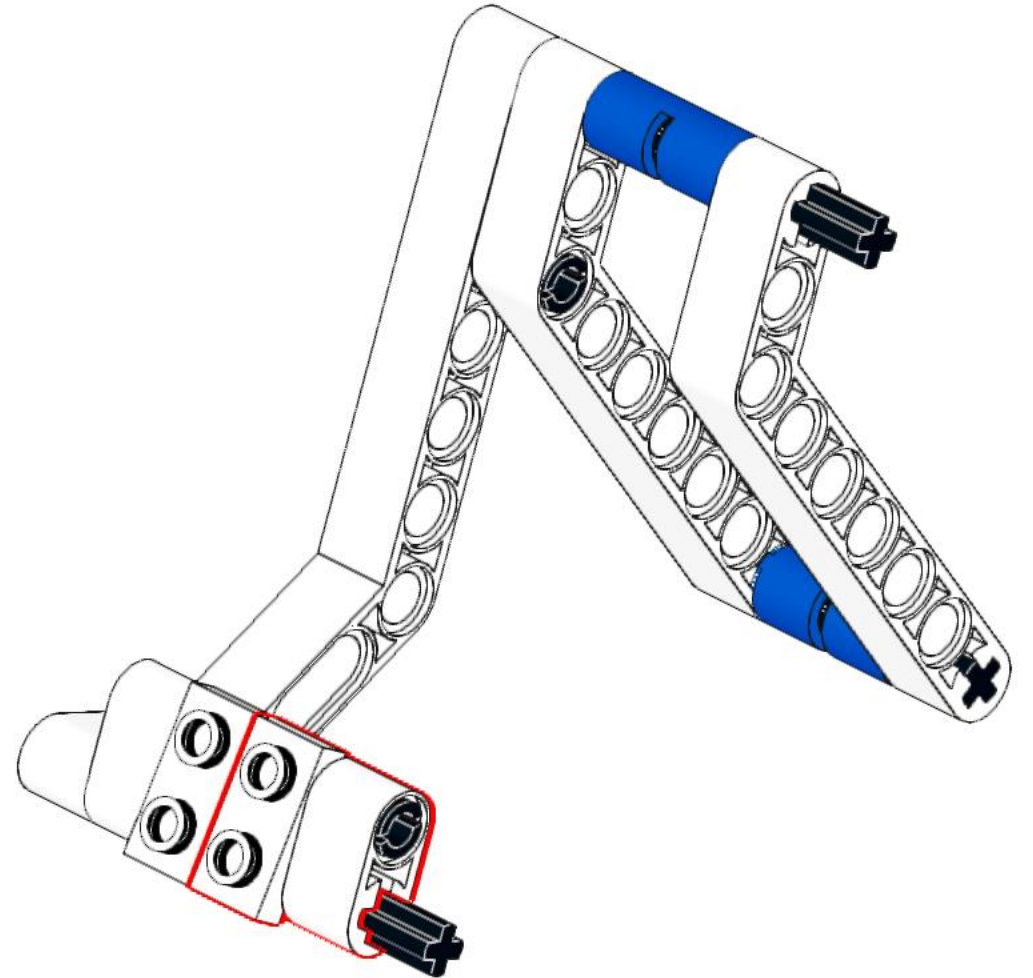
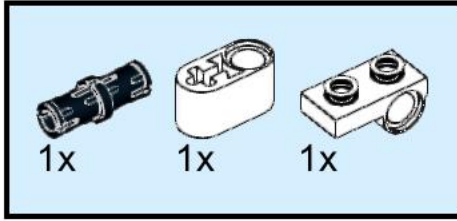
# 3



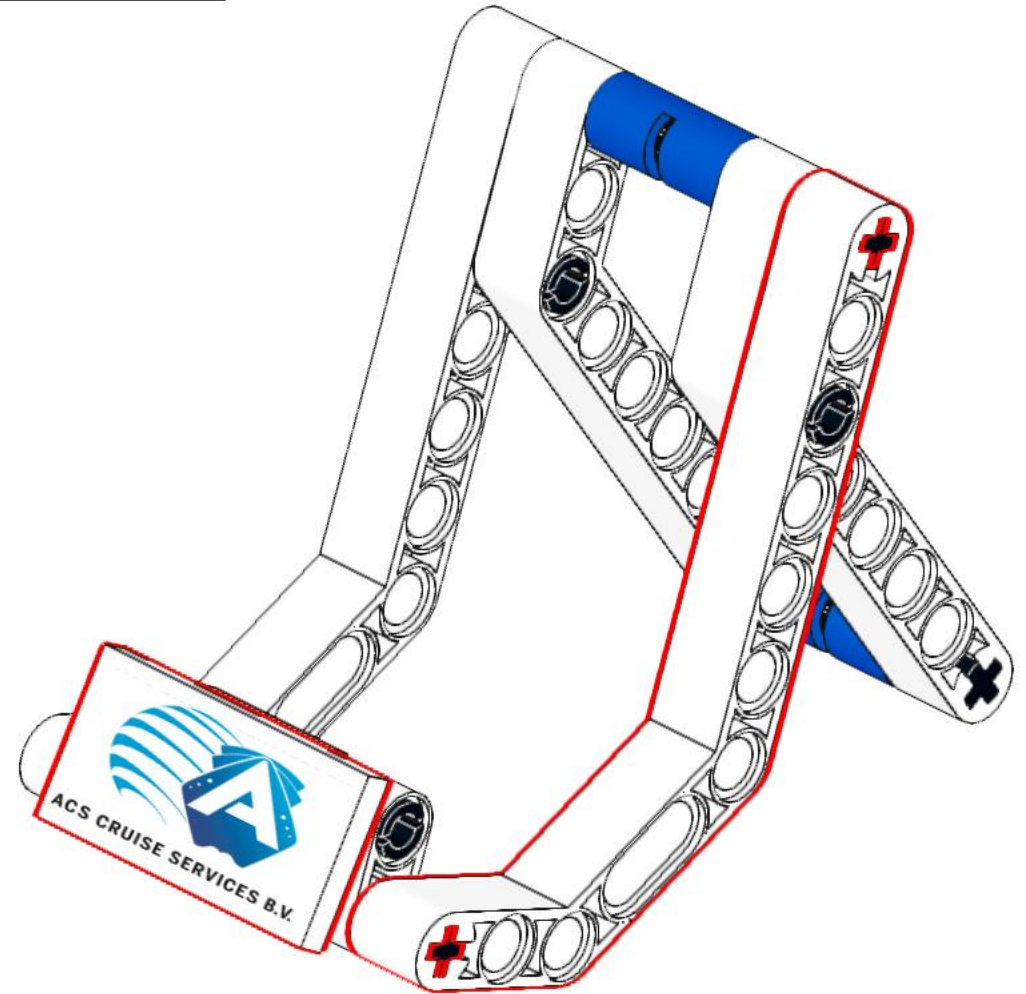
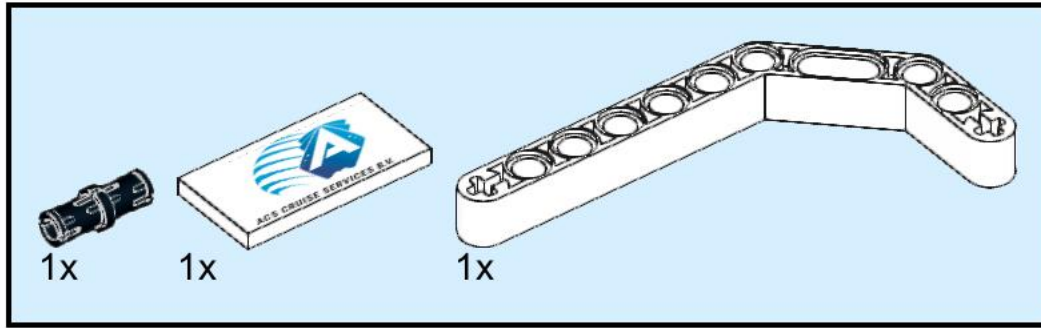
4



5



# 6





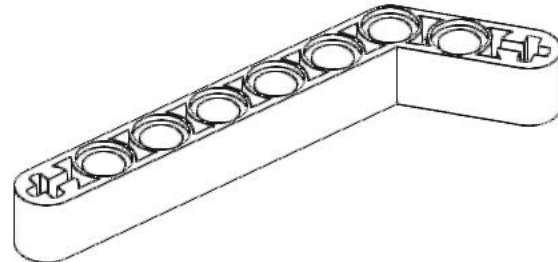
4x  
2780  
Black



1x  
87079  
White



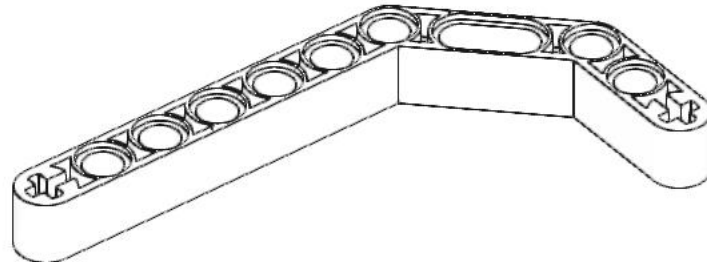
1x  
3705  
Black



2x  
32271  
White



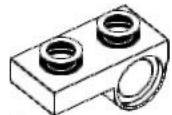
2x  
3706  
Black



2x  
32009  
White



2x  
60483  
White



2x  
18677  
White



2x  
62462  
Blue

RJ and the RJ logo are trademarks of the RJ Group © 2001 the RJ group 1234567 © & Ritra Cargo Holland B.V.